



Control Systems Inc.

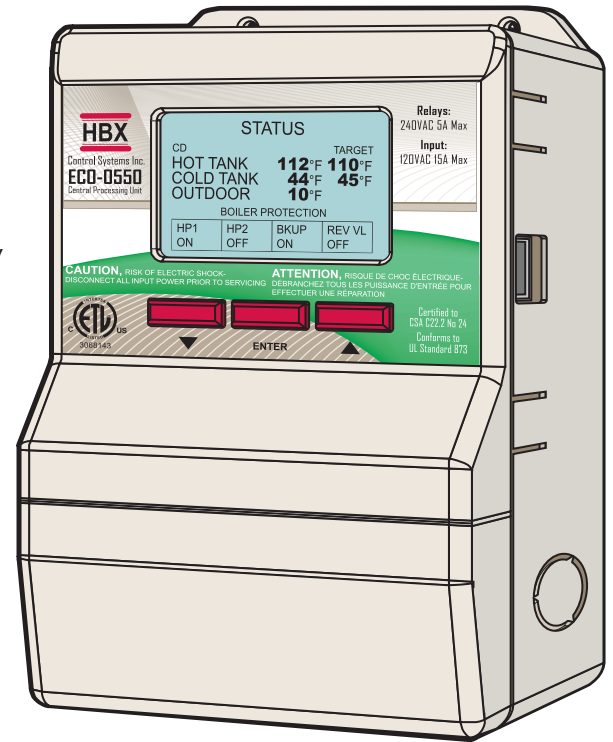


ECO-0550

Your Geothermal Installation Made Easy

Introducing the simplest, most intuitive control available to the geothermal industry, the ECO-0550. This unique control uses an intuitive step-by-step interface, allowing for an easy and stress-free installation every time. The ECO-0550 covers a multitude of geothermal applications, reducing the variety of controls needed for varying applications.

The ECO-0550 stand alone outdoor reset control can accommodate heat pumps and backup boilers, allowing for complete system coverage and extensive flexibility.



Features

- Up to 3 stages – including back up
- Outdoor reset on hot and cold tanks
- Single or dual tank modes
- Runs reversing valve and/or 3 way valves
- Rotates heat pumps on time or cycles

Benefits

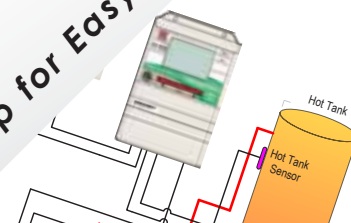
- Covers a wide range of residential applications
- Easy to program
- Intuitive programming menus
- Spend less time in the field with step by step setup.
- All system info displayed on the main screen.

Contact Information

4516-112th Avenue SE
Calgary, Alberta T2C 2K2
CANADA

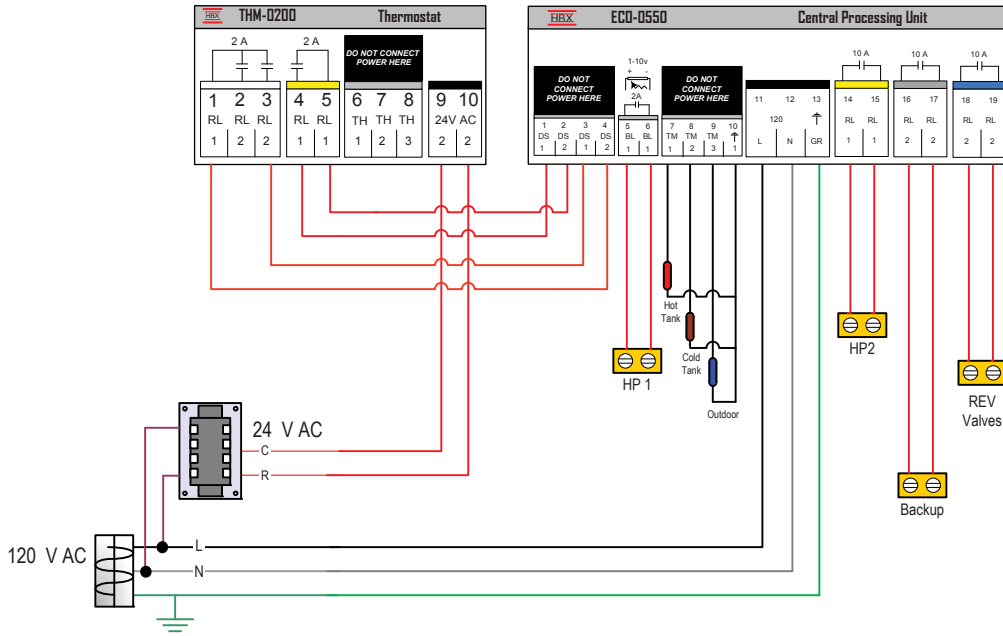
Phone: +1 (403) 720 0029
Fax: +1 (403) 720 0054
Email: info@hbxcontrols.com

Flip for Easy Wiring!



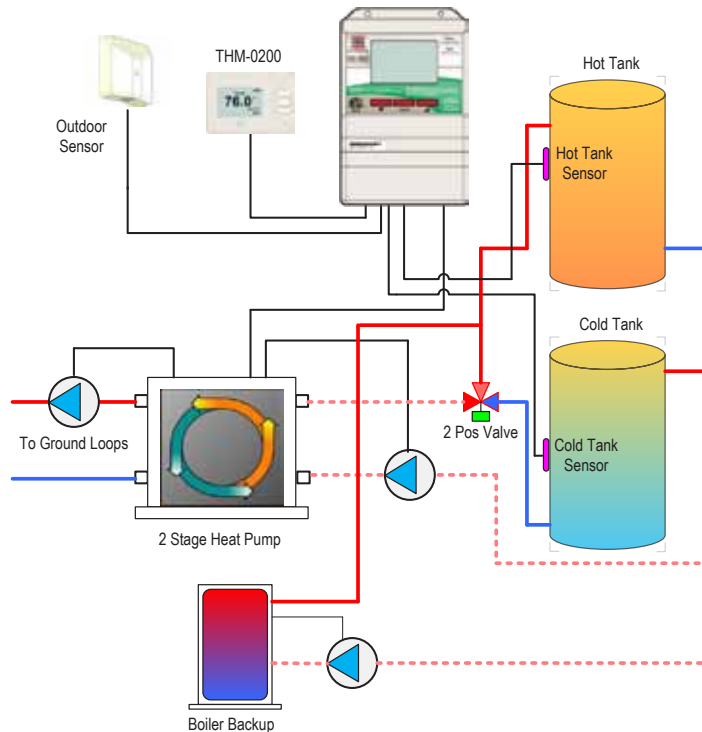


2 Heat Pump System With Backup



Electrical

2 Heat Pump System With Backup



Mechanical